

## Fitting

Ensure free movement of air around the fitting by removing any roof void insulation from at least 100mm around the hole. Under no circumstances must these fittings be covered with insulating matting or similar material.

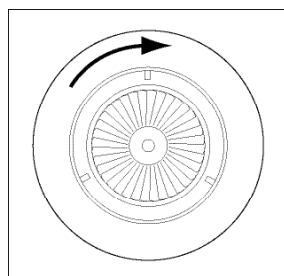
- The ceiling surface must be flat and smooth to ensure a good fit.
- Push the spring clips upwards and fit the two longer arms into the ceiling hole. See diagram 1 overleaf.

- Push the unit up until firmly in position, ensuring that the cable is not trapped. See diagram 2 overleaf.
- Adjust the tilt of 52332/52333/52334 before switching on.
- Replace fuse or circuit breaker and switch on. Your light is now ready for use.

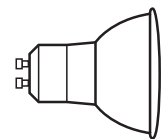
## Fitting/replacing the bulbs

When changing a bulb, always switch off at the mains and allow the bulb to cool before handling. Dispose of used bulbs carefully. Use a soft cloth to handle bulbs, avoid directly touching the bulbs as this will shorten their life. Do not exceed the wattage stated or use a different shape bulb from that indicated on the fitting.

Rotate decorative bezel anti-clockwise. Drop down and slide bulb out from clip. To refit, slide bulb into clip, and refit the the decorative bezel.



50W GU10  
Mains Halogen



## Care and Cleaning

We recommend cleaning with a soft dry cloth.

Do not use solvents or abrasive cleaners as these could damage the finish.

## Recycling advice



Waste electrical products should not be disposed of with household waste. Please recycle where facilities exist. Check with your Local Authority or retailer for recycling advice.

## Safety information

For your safety, always switch off the supply before changing lightbulbs, or cleaning.

## Instruction leaflet

# Cast Fixed & Tilting Recessed

52329, 52330, 52331, 52332, 52333, 52334



saxby  
lighting

Thank you for purchasing this light fitting.  
Please read the instructions carefully before use to ensure safe and satisfactory operation of this product.  
Please retain these instructions for future reference.

## Warning



**This product is Double Insulated and does not require connection to an Earth circuit.**

Please read these instructions carefully before commencing any work.

This unit must be fitted by a competent and qualified electrician.

Install in accordance with IEE Wiring regulations and current Building Regulations.

To prevent electrocution switch off at mains supply before installing or maintaining this fitting. Ensure other persons cannot restore the electrical supply without your knowledge.

This light fitting should be connected to a fused circuit.

If replacing an existing fitting, make a careful note of the connections.

Always use the correct type and wattage bulb. Never

exceed the wattage stated.

When changing a bulb, always switch off at the mains and allow the old bulb to cool down before handling.

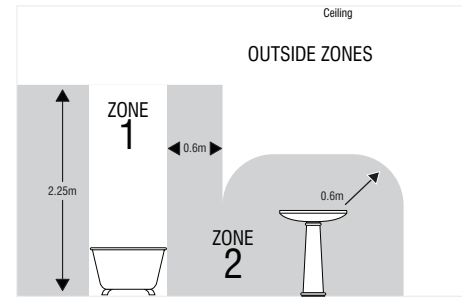
Dispose of used bulbs carefully and responsibly.

This product is suitable for dimming when used in conjunction with a dimmable lamp. Always check dimming capability of the intended lamps.

Waste electrical products should not be disposed of with household waste. Please recycle where facilities exist. Check with your local authority or retailer for recycling advice.



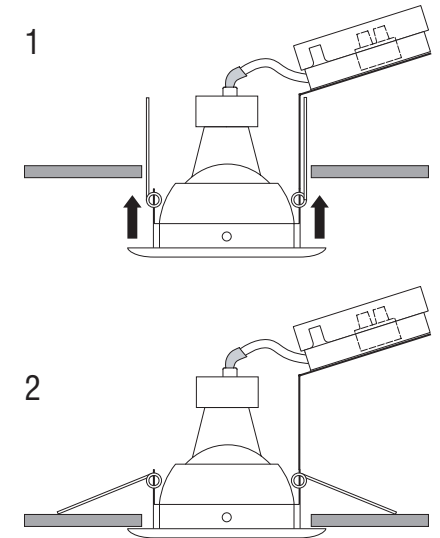
This product is NOT suitable for direct mounting on normally flammable surfaces (suitable only for mounting on non-combustible surfaces).



This product has no special protection against the ingress of moisture, and is rated as IP20.  
This product is not suitable for use in Zones 0, 1 or 2, of a bathroom. See diagram.  
**The mains supply must be fitted to a 30mA RCD.**

## Installation

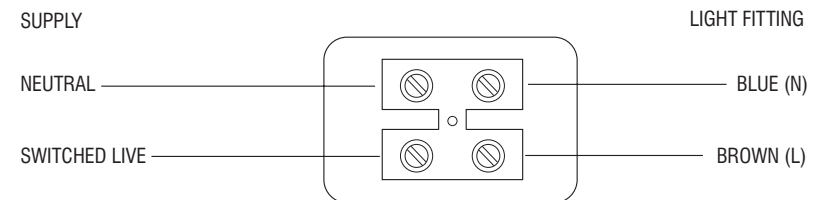
- Attach the spring clips to the body of the recessed unit by squeezing the sides together and locating the spring coils over the two metal tabs. Ensure that the terminal block bracket is fitted at the same time, with the terminal block pointing away as show in diagram 1. Ensure the longer arm of the clip is uppermost and the shortest points away from the bulb.
- After deciding the layout of the light fittings ensure that the cables are long enough to connect to the desired positions.
- Wire as detailed below.



## Wiring

This product is double insulated and must not be earthed. If there are any incoming earth cables, they must be joined together and well insulated with good quality insulation tape. This is to ensure earth continuity throughout your property.

Having correctly identified the wiring from your existing light fitting and connect to the connection block inside the product in the following way:



## Check that...

- You have correctly identified the wires.
- The connections are tight.
- No loose strands have been left out of the connection block.

## Specification

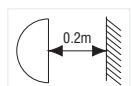
Voltage: 240V 50Hz a.c.  
Lamp: All Models - 1 x Max. 50W GU10 Mains Halogen  
IP rating: 20

## Layout

- Plan the desired layout of these fittings carefully, ensuring the cables will reach the distances between the connector block and each light fitting.
- Avoid locating any cables in positions that would cause a hazard. Position cables and connector block away from areas where they may be at risk from being cut, trapped or damaged.
- Cables that are to be in walls must be protected using suitable conduit or plastic trunking.

### Fixing sizes

- 52329/52330/52331: 70mm diameter cutout  
95mm ceiling void minimum
- 52332/52333/52334: 80mm diameter cutout  
110mm ceiling void minimum



Spotlights give a concentrated beam of light and must not be positioned any closer than 0.2M (20cm) to the illuminated surface.