

7585

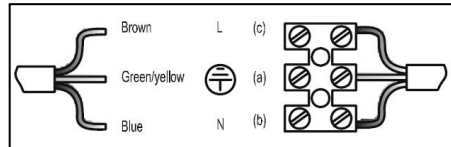
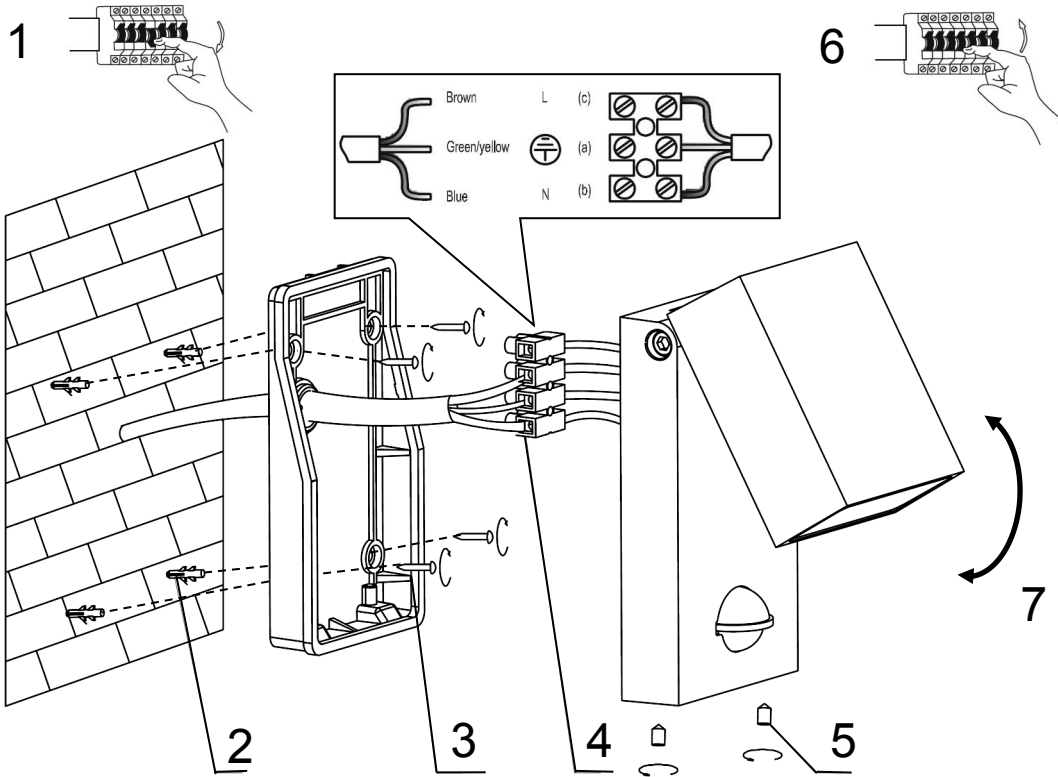
QLO2047

searchlight

www.searchlightelectric.com



INSTALLATION INSTRUCTIONS

**SENSOR TIME:**

MIN 10 +/- 5 -Seconds

MAX 4 +/- 1—Minute

LUX CONTROL:

From Daylight to Night

1.8m

90°

2m — 8m



INSTALLATION:

- The unit must be installed in a vertical position.
- For best results , fix the product to a solid surface 1.8m above the ground .
- Try to avoid positioning the unit at trees or shrubs, or where the motion of pets may be detected .
- The PIR sensor is more sensitive to movement across the detection area than movement towards it , therefore consider this when planning the position of the wall light .

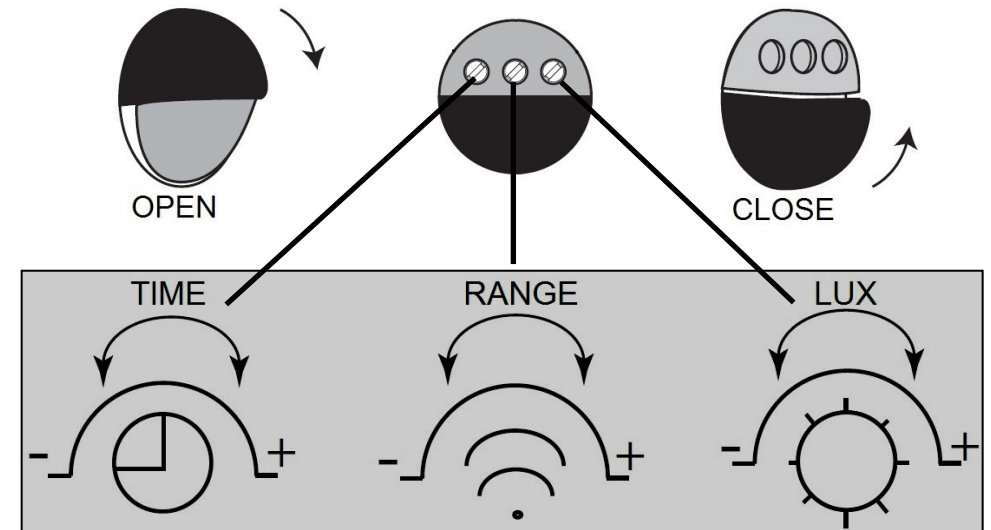
ADJUSTING the PIR sensor :

Flip the PIR control cover down to access the adjustment controls . Use a small flat head screwdriver to make any required adjustments . Please close the cover after adjustments are completed .

TIME: The duration the lamp remains on can be adjusted from approximately 10 seconds to 4 minutes . (+/- 5secs to +/- 1minute)

RANGE: The detection angle is set at an optimum 90° degrees . The distance of operation can be adjusted from approximately 2metres to a maximum of 8metres .

LUX: The light level the sensor will activate in can be set by the Lux control. If it is set to the maximum (+) then it will switch on in most light conditions from Darkness to Sunlight. If it is set to the minimum (-) then the sensor will normally activate at Dusk. This is the ideal setting for the sensor to switch on at dusk and in darker light conditions.



TROUBLESHOOTING:

A. Lamp Fails to light:

- 1.Check mains supply is on
- 2.Check all electrical connections are correct
- 3.Check sensor detection distance is correctly adjusted (If applicable).

B. Lamp stays on :

- 1.Check the sensor is not being triggered falsely by moving objects , vehicles , trees etc.