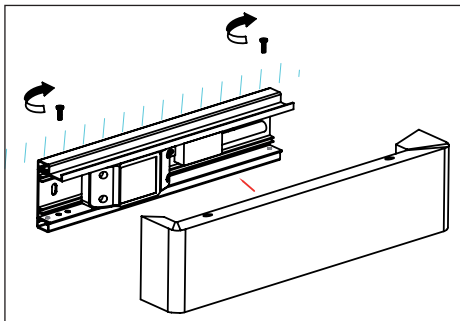


Commissioning

- Attach the backing plate to the wall with two suitable screws. Do not over tighten the screws as this could damage the unit.
- Attach the shade by simply locating the shade onto the top of the bracket. Secure in place with the two supplied screws through the top of the shade. Do not overtighten the screws as this could damage the unit. Please refer to the diagram on the right.
- Replace fuse or circuit breaker and switch on. Your light is now ready for use.



Fitting/replacing bulb

- The LED in this product is non replaceable.

We recommend cleaning with a soft dry cloth. Do not use abrasive materials as these will damage the finish.

Recycling advice



Waste electrical products should not be disposed of with household waste. Please recycle where facilities exist. Check with your Local Authority or retailer for recycling advice.

Safety information

For your safety, always switch off the supply before cleaning. The LED lamp in this product is non-replaceable. At the end of its useful life the product must be disposed of responsibly - and not with normal household waste.

Instruction leaflet

Turin Wall

50604



CE

saxby
lighting

Thank you for purchasing this light fitting. Please read the instructions carefully before use to ensure safe and satisfactory operation of this product. Please retain these instructions for future reference.

Warning

 **This product is Double Insulated and does not require connection to an Earth circuit.**

Please read these instructions carefully before commencing any work. It is recommended that this fitting is installed by a qualified electrician.

Install in accordance with the IEE Wiring regulations and the Building Regulations.

To prevent electrocution switch off at mains supply before installing or maintaining this fitting. Ensure other persons cannot restore the electrical supply without your knowledge. If you are in any doubt, please consult a qualified electrician.

This light fitting should be connected to a 5 amp fused circuit.

If replacing an existing fitting, make a note of the connections.

This product is suitable for indoor use only, on normal flammable surfaces.

This product is not suitable for dimming.

This product contains non-replaceable parts and cannot be serviced. If damage occurs the part should be scrapped.

Waste electrical products should not be disposed of with household waste. Please recycle where facilities exist. Check with your local authority or retailer for recycling advice.

Specification

Voltage: 240V 50Hz
Lamp: 48 x Max. 0.15W SMD 5050 LED (non replaceable)
IP rating: 20

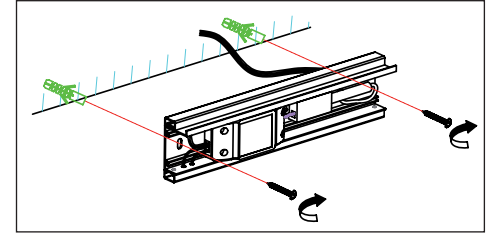
Layout

- Plan the desired layout of this fitting carefully, ensuring the cables will reach the distance between the junction box and the light fitting
- Avoid locating any cables in positions that would cause a hazard. Position cables and junction boxes (not supplied) away from areas where they may be at risk from being cut, trapped or damaged.
- Cables in walls must be protected using suitable conduit or plastic trunking.
- The mains supply cable must have a minimum cross sectional area of 1.0mm²

Installation

Existing fittings must be completely removed before installation of a new product. Before removing the existing fitting, **carefully note the position of each set of wires.**

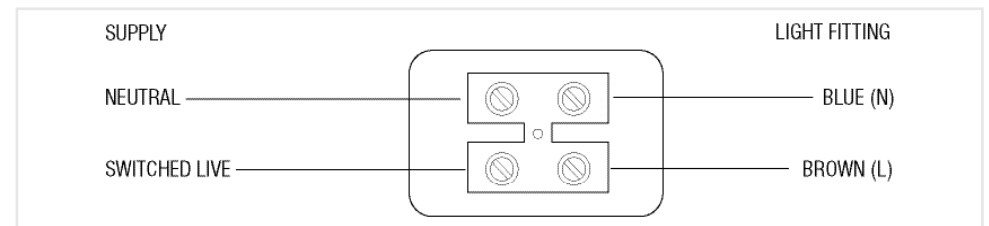
- Use the backing plate as a template to mark the position of the drill holes. Ensure the plate is the correct way up with the shade location lip at the top (see diagram on right). Drill with a suitable drill bit and plug the mounting holes with suitable wall plugs. Take care not to foul any mains cables or pipes below the surface while drilling.
- Wire as detailed below



Wiring

This product is double insulated and must not be earthed. If there are any incoming earth cables, they must be joined together and well insulated with good quality insulation tape. This is to ensure earth continuity throughout your property.

Having correctly identified the wiring from your existing light fitting and connect to the connection block inside the product in the following way:



Check that...

- You have correctly identified the wires.
- The connections are tight.
- No loose strands have been left out of the connection block.
- The lid is fitted back onto the terminal block case.