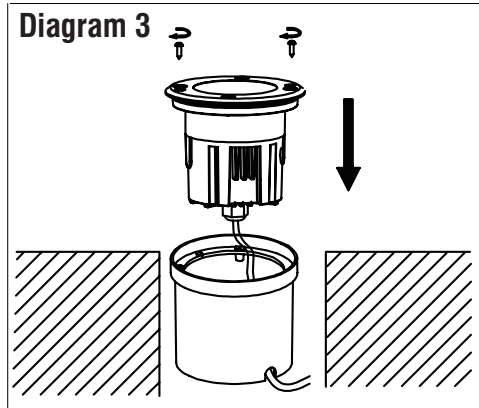


Commissioning

- See Diagram 3. Place the product inside the housing and secure in place by refitting the screws set aside earlier.
- Replace fuse or circuit breaker and switch on. Your light is now ready for use.




Fitting/replacing bulbs

- This system contains non-replaceable parts and cannot be serviced. If damage occurs the part should be scrapped.

We recommend cleaning with a soft dry cloth.
Do not use solvents or abrasive cleaners as these could damage the finish.

Recycling advice

 Waste electrical products should not be disposed of with household waste. Please recycle where facilities exist. Check with your Local Authority or retailer for recycling advice.

Safety information

For your safety, always switch off the supply before cleaning.
This system contains non-replaceable parts and cannot be serviced. If damage occurs the part should be scrapped.

Instruction leaflet

Evoked Recessed LED

67617, 67618, 67619, 67620



CE

saxby
lighting

Thank you for purchasing this light fitting. Please read the instructions carefully before use to ensure safe and satisfactory operation of this product. Please retain these instructions for future reference.

Warning

This is a Class 1 product and must be earthed.

Please read these instructions carefully before commencing any work.

This system operates at Mains Voltage (240V) and must be installed by a qualified electrician and in accordance with IEE Wiring Regulations and current Building Regulations.

An appropriate outdoor mains cable must be used to power this product.

To prevent electrocution switch off at mains supply before installing or maintaining this fitting. Ensure other persons cannot restore the electrical supply without your knowledge. If you are in any doubt, please consult a qualified electrician.

This light fitting should be connected to a circuit with a 30mA RCD fitted.

If replacing an existing fitting, make a careful note of the connections.

This system contains non-replaceable parts and cannot be serviced. If damage occurs the part should be scrapped.

This product is not suitable for dimming.

This luminaire is designed for outdoor installation and is rated at IP65.

This will require an appropriate outdoor rated junction box (not supplied).

This product is not suitable for location in or near a marine environment.

This product is unsuitable for immersion in water or very wet areas.

Specification

Voltage:	240V ~ 50hz	
Lamp:	67617: 6W LED Module - 600lm	67618: 10W LED Module - 970lm
	67619: 20W LED Module - 1695lm	67620: 40W LED Module - 3690lm
IP rating:	65	

Layout

- Plan the desired layout of this fitting carefully, ensuring the cables will reach the distance between the junction box and the light fitting.
- Avoid locating any cables in positions that would cause a hazard. Position cables and outdoor rated junction boxes (not supplied) away from areas where they may be at risk from being cut, trapped or damaged.
- Suitable outdoor cables must be used and protected using suitable conduit or plastic trunking.
- We recommend that you use H05RN-F specification cable (not supplied) which is an outdoor grade, rubber sheathed cable. The mains supply cable must have a minimum cross sectional area of 1.0mm²

Installation

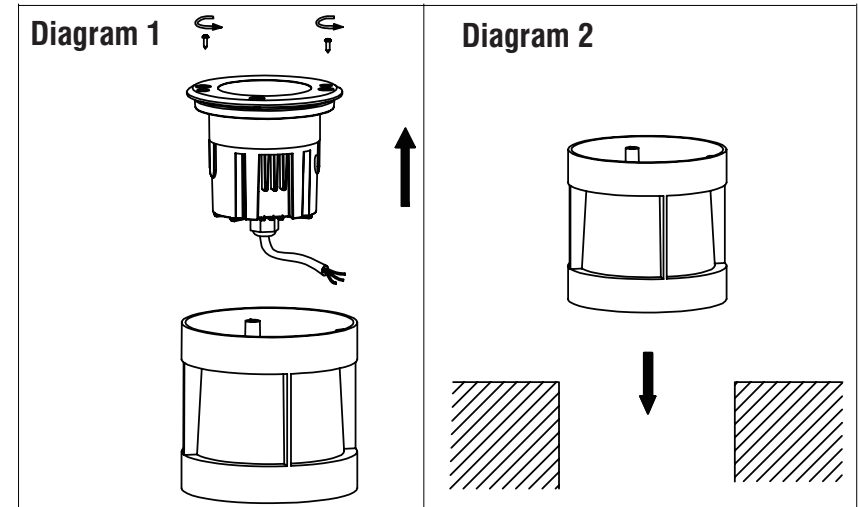
Existing fittings must be completely removed before installation of a new product. Before removing the existing fitting, **carefully note the position of each set of wires.**

- See Diagram 1. Undo the allen screws holding the product inside the housing with the supplied allen key. Set the product and screws aside.
- The product must be mounted in the supplied housing. It should not be directly installed in the soil.
- Form a recess to fit the housing into. The dimensions of the housing are given below. Ensure that there is adequate drainage below the product.

- See Diagram 2. Position the conduit or plastic trunking under the housing and pull the cable through. Ensure that the cables are not snagged.

Cutout & Ground Void Dimensions

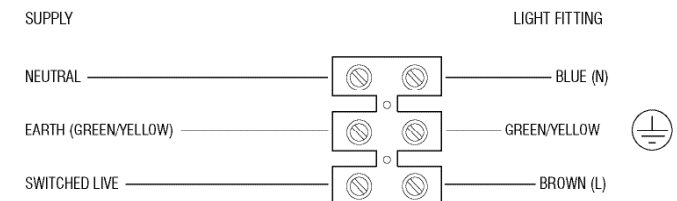
- 67617: 95mm cutout and ground void.
- 67618: 125mm cut out, 110mm ground void.
- 67619: 194mm cut out, 125mm ground void.
- 67620: 205mm cut out, 110mm ground void.
- Fix the housing in place.
- Wire as detailed below.



Wiring

Having correctly identified the wiring from your existing light fitting, connect to the approved outdoor rated or

approved double insulated terminal block in the following way:



Check that...

- You have correctly identified the wires.
- The connections are tight.
- No loose strands have been left out of the connection block.