

EASEL TRIPOD WOOD FLOOR LAMP ASSEMBLY INSTRUCTIONS

These instructions are provided for your safety.

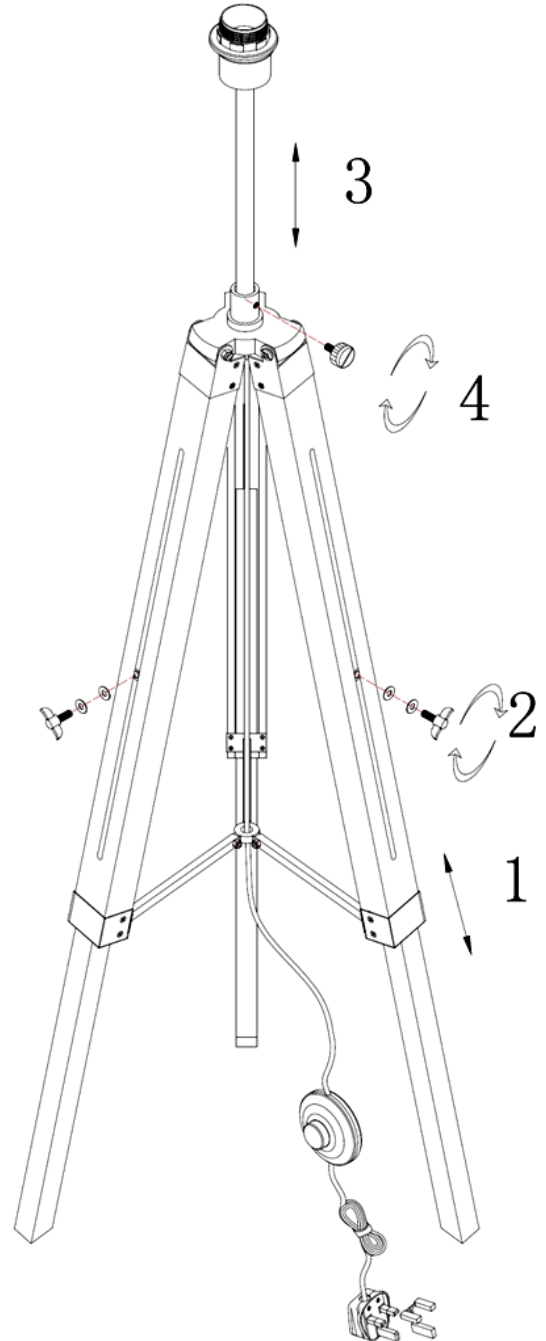
Please read carefully before commencing work and retain for future reference.

SAFETY INFORMATION

- * Take care not to place undue stress on the cable whilst unpacking to prevent the possibility of a poor connection.
- * If you are in any doubt consult a person competent to give advice on the assembly of electrical equipment.
- * Always be sure to use the correct type and wattage of bulbs as indicated on the fitting. Do not exceed wattage stated.
- * If the flexible cable of the lamp is damaged it shall be exclusively replaced by the manufacturer or his service agent or a similar qualified person in order to avoid a hazard.
- * To prevent electrocution switch off at the mains supply before assembling or maintaining this product. Ensure the plug is not connected to any power supply and read instructions fully before assembly.
- * When changing the bulb, always switch off at the mains and allow the old bulb to cool down before handling. Dispose of old bulbs carefully.

ASSEMBLY INSTRUCTIONS

- 1) Ensure product is not connected to the mains supply.
- 2) Unpack the product and remove all packaging. Take care not to scratch the surface of the product whilst removing the plastic wrapping. Ensure the ends of the poles or the plug do not scratch base.
- 3) Cover the floor with a soft cloth to avoid damage to the flooring or product finish. Assembly should take place with the product lying flat.
- 4) Place floor lamp onto its side and position the inner support leg to roughly required position ① then fit 2 x washers onto wing screw. Fit wing washer through the slot in outer leg whilst locating the nut inside, ② do not tighten until all 3 support legs have had washers and screw fitted.
- 5) Stand the floor lamp upright by opening 3 x support legs outwards and ensure the floor lamp is level before tightening the 3 wing screws. **CAUTION:** this wooden product will show pressure marks where the wing screw has been over tightened.
- 6) Position the lampholder stem to the required position ③ then lock this into position using the retaining screw, ④ do not over tighten as this will leave marks on the stem.
- 7) To fit shade, remove shade ring from the lamp holder then fit the shade and secure this into position using the shade ring.
- 8) Fit the lamp type and wattage as indicated on lampholder. **Lamp and wattage indicated must not be exceeded.**
- 9) The product is now ready for use. Plug lamp in and switch it on.



GENERAL INFORMATION

This product is designed for internal use only. **Do not use polish or abrasive cleaner** – just a soft dry cloth.