

**där**<sup>®</sup>  
lighting group

# RAFFERTY

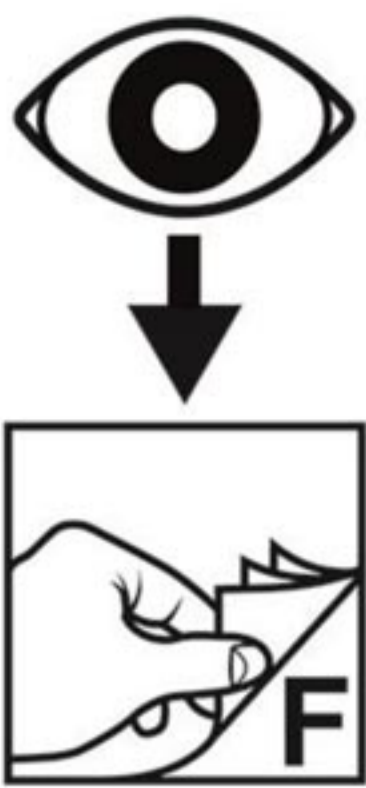
---



---

# WALL LIGHT



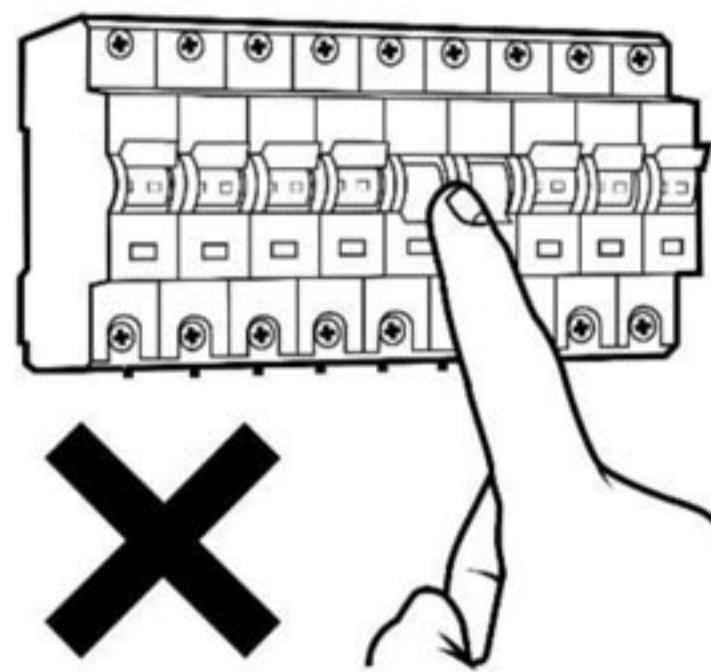


	✓								✓	
		<b>LED</b>				<b>PART C</b>	<b>PART E</b>	<b>PART 21</b>	<b>SELV</b>	
	✓									

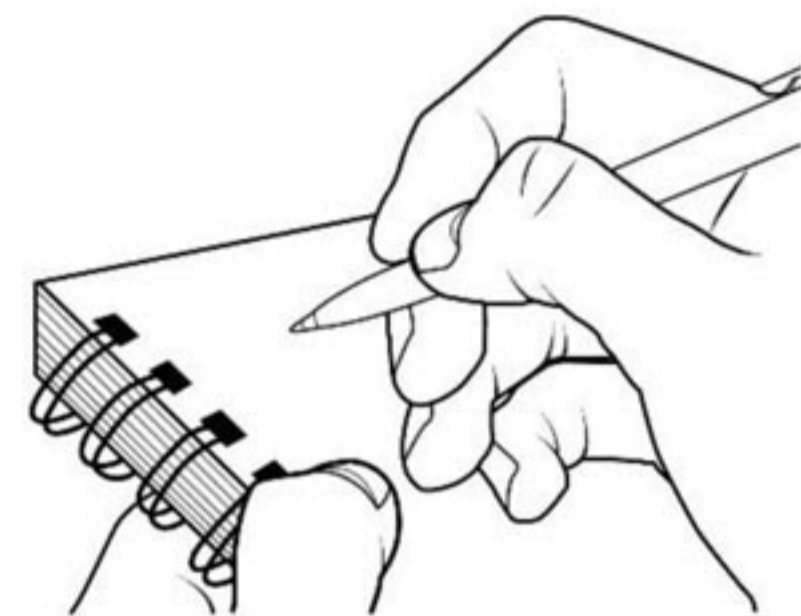
1 – 1.B



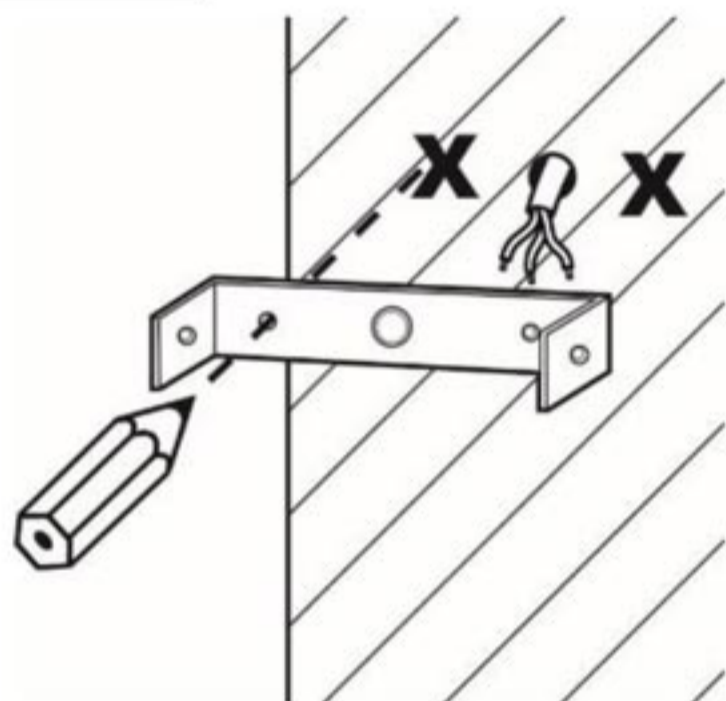
1



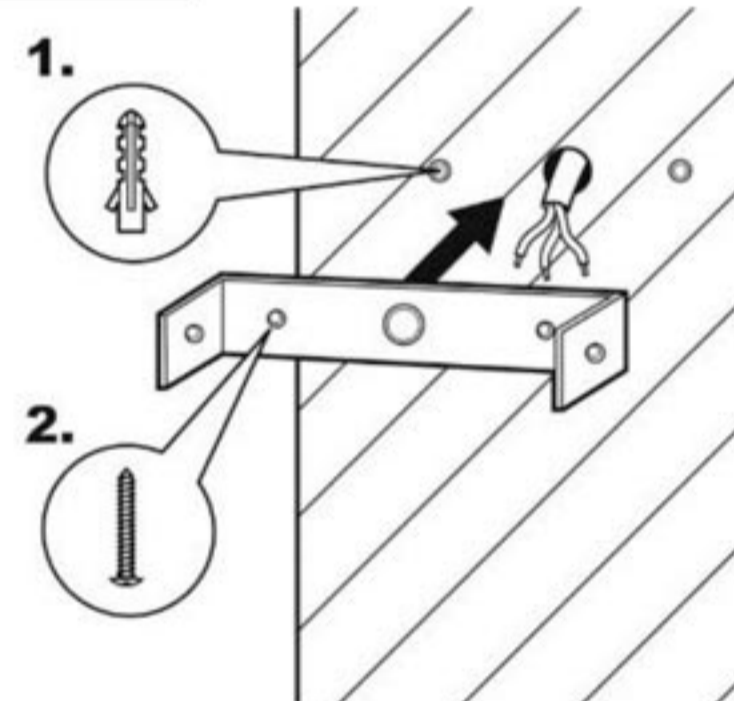
3.1 – 3.3



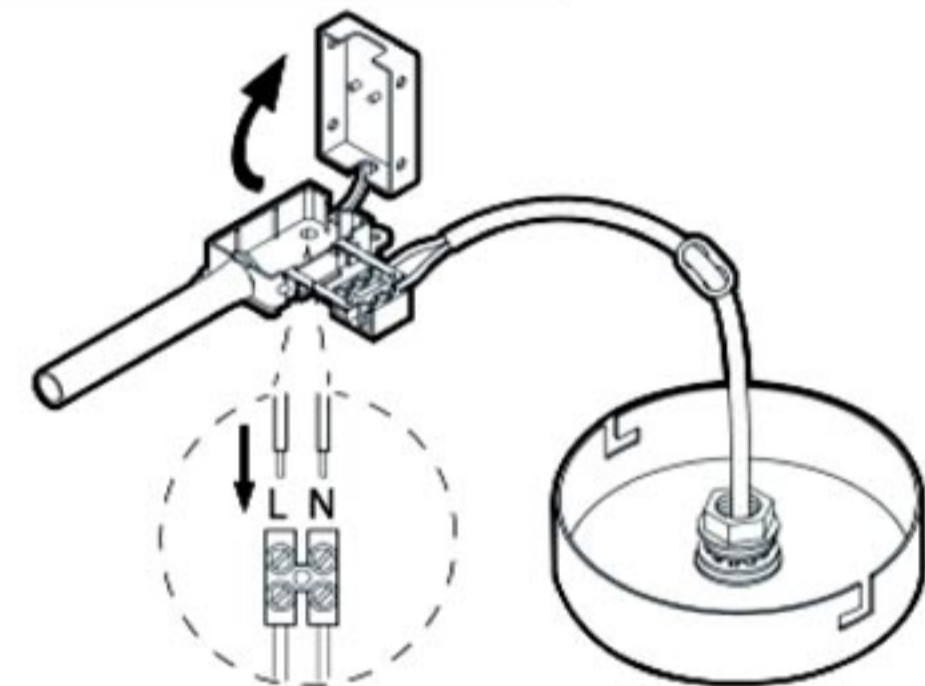
3.4



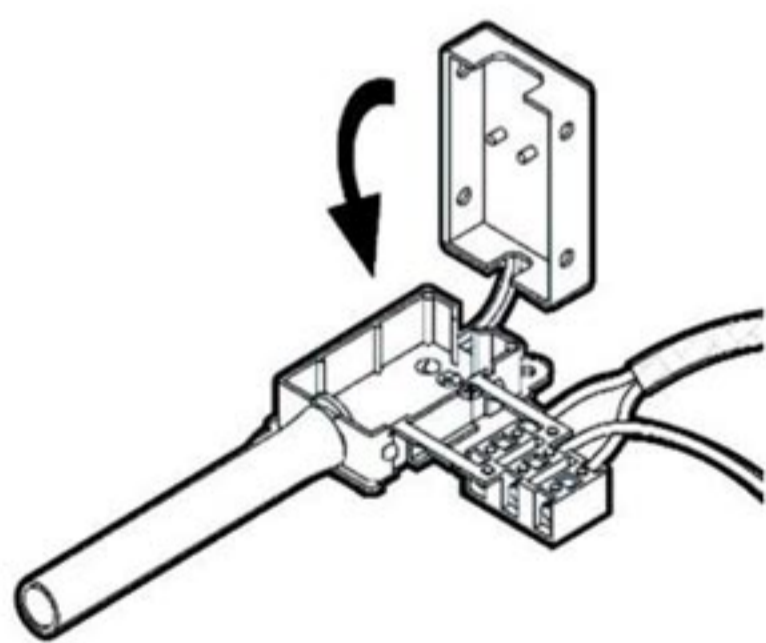
3.5



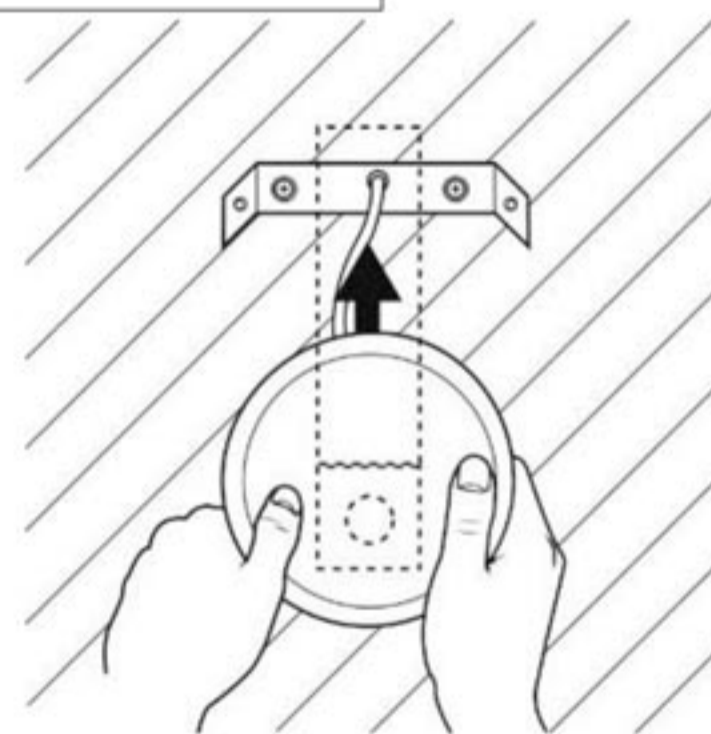
3.6, 3.8 – 3.10



3.12 – 3.14



3.16 – 3.17



3.18



3.19

