

OSAKA WALL LIGHT INSTALLATION INSTRUCTIONS

These instructions are provided for your safety.

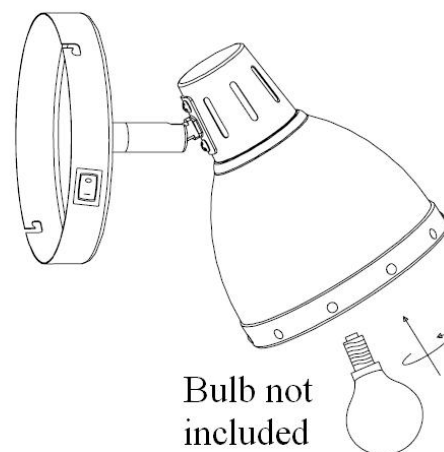
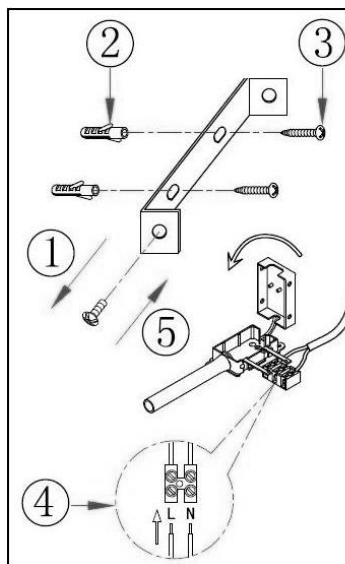
Please read carefully before commencing work and retain for future reference.

SAFETY INFORMATION

- * If you are in any doubt consult a person competent to give advice on the installation of electrical equipment.
- * This fitting should be fitted in accordance with current IEE Wiring Regulations and Building Regulations.
- * To prevent electrocution switch off at the mains supply before installing or maintaining this fitting. Ensure other persons cannot restore the electricity supply without your knowledge.
- * To avoid damage to concealed wiring during installation, establish the direction of the supply cable before drilling fixing holes.
- * This fitting is Class 2 = therefore no earth is required and should be fitted to a lighting supply protected by a 5 amp fuse or equivalent circuit breaker.
- * Always be sure to use the correct type and wattage of bulbs as indicated on the fitting. Never exceed the wattage stated.
- * When changing the bulb, always switch off at the mains and allow the old bulb to cool down before handling. Dispose of used bulbs carefully.

INSTALLATION

1. Ensure the house electricity supply is off at the fuse board.
2. Before removing the existing product, carefully note the position of each set of cables. If there are loop in cables that are not connected to the light these must be terminated in a separate terminal block not connected to the fitting.
3. Remove the mounting bracket from fitting by undoing 2 retaining screws then use as a template, mark and then drill the fixing holes appropriately to the wall (ensure that the holes are drilled into a suitable mounting and not just the plaster).
4. Attach mounting bracket onto the wall using suitable fixing screws. **Take care not to damage wiring.**



5. Use a screwdriver to lever open the connector block housing and feed supply cable through the rubber sleeve. Whilst supporting the weight of the fitting, make electrical connections as follows:

Connect supply live (normally brown or red) to fitting live (marked "L") on the terminal block.

Connect supply neutral (normally blue or black) to fitting neutral (marked "N") on the terminal block.

Please note: No earth should be connected to any part of this fitting. If any earth wires are present please terminate these in a separate terminal block (not supplied) to ensure that continuity is maintained for the earth circuit.

Ensure electrical connections are tight and no loose strands of wire are left out of the terminal block. Ensure terminals and rubber sleeve is correctly seated then close connector block housing by snapping together.

6. Offer fitting to mounting bracket and align fixing holes, use the screws removed earlier to secure fitting to the mounting bracket. **Take care not to damage wiring.**
7. **Fit the bulb**, type and wattage as indicated on the fitting. **The wattage indicated must not be exceeded.**
8. Adjust spotlight heads to desired positions.
9. Switch on the electricity supply at the fuse board.

GENERAL INFORMATION

This fitting is designed for internal use only and must be fitted to a DRY SURFACE as any dampness in plaster or paint can damage the finish. **Do not use polish or abrasive cleaner - just a soft dry cloth.**