

Commissioning

- Refit the outer rim removed earlier.
- Replace fuse or circuit breaker and switch on. Your light is now ready for use.

Fitting/replacing bulbs

- The LED module in this product is non replaceable

We recommend cleaning with a soft dry cloth.
Do not use solvents or abrasive cleaners as these could damage the finish.

Recycling advice



Waste electrical products should not be disposed of with household waste. Please recycle where facilities exist. Check with your Local Authority or retailer for recycling advice.

Safety information

Live Voltages may be present in this unit even when turned off or when completely disconnected. For your safety, always switch off the supply before changing lightbulbs, or cleaning.

Instruction leaflet

Corden Round Wall

61399, 61400



saxby
lighting

Thank you for purchasing this light fitting. Please read the instructions carefully before use to ensure safe and satisfactory operation of this product. Please retain these instructions for future reference.

Warning



This product is Class 2 (Double insulated) and must not be earthed.

Please read these instructions carefully before commencing any work.

This unit must be fitted by a competent and qualified electrician.

Install in accordance with IEE Wiring regulations and current Building Regulations.

To prevent electrocution switch off at mains supply before installing or maintaining this fitting. Ensure other persons cannot restore the electrical supply without your knowledge. If you are in any doubt, please consult a qualified electrician.

This light fitting should be connected to a circuit with a 30mA RCD fitted.

If replacing an existing fitting, make a careful note of the connections.

This product contains non-replaceable parts and cannot be serviced. If damage occurs the part should be scrapped.

Waste electrical products should not be disposed of with household waste. Please recycle where facilities exist. Check with your local authority or retailer for recycling advice.

This product is rated at IP65

The entire unit gets hot whilst on for a period of time.

Specification

Voltage:	240V 50Hz a.c.
Lamp:	18W LED module (SMD 2835) Warm White - 900lm
IP rating:	65

Layout

- Plan the desired layout of this fitting carefully, ensuring the cables will reach the distance between the junction box and the light fitting.
- Avoid locating any cables in positions that would cause a hazard. Position cables and outdoor rated junction boxes (not supplied) away from areas where they may be at risk from being cut, trapped or damaged.
- We recommend that you use H05RN-F specification cable (not supplied) which is an outdoor grade, rubber sheathed cable. The mains supply cable must have a minimum cross sectional area of 1.0mm²
- Cables must be protected using suitable conduit or plastic trunking.

Installation

Existing fittings must be completely removed before installation of a new product. **Before removing the existing fitting, carefully note the position of each set of wires.**

- The help of an assistant is recommended when installing this fitting.
- Unscrew the outer rim (Fig. 1). Keep in a safe place for refitting later.
- Using the wall back as a template, mark the position of the mounting holes.

- N.B.: Ensure the wall back is correctly oriented with the arrow facing upwards and the grommet facing downwards.
- Drill holes and fit supplied wall plugs (suitable for masonry only - for other surfaces use appropriate fixings). Feed the incoming mains supply cable through the grommet entry hole. Fix the wall back to the wall using the supplied fixings.
- Remove the cover from in front of the terminal block and wire as detailed below.

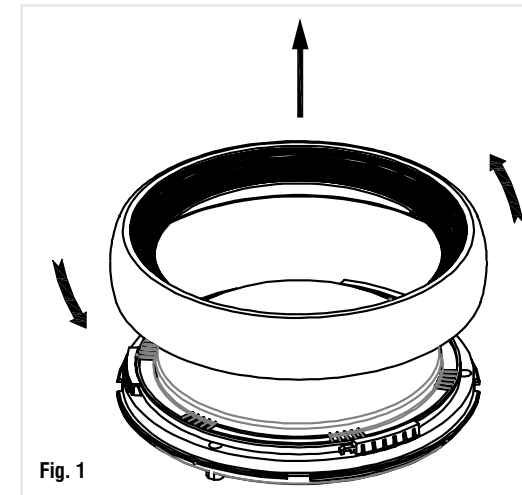
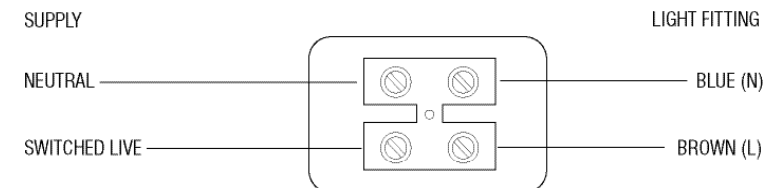


Fig. 1

Wiring

Having correctly identified the wiring from your light fitting, connect to the approved outdoor rated external

terminal block in the following way:



Check that...

- You have correctly identified the wires
- The connections are tight
- No loose strands have been left out of the connection block.
- The cover has been refitted over the terminal block