

## Commissioning

- Close the shade and secure with the screws set aside earlier. Do not overtighten.
- Replace fuse or circuit breaker and switch on. Your light is now ready for use.

## 67177: Photocell

- This product is fitted with a photocell.
- The light will automatically switch on when the ambient light level drops below 30 lux and will automatically switch off when it reaches 70 lux.
- The photocell is located on the right hand side of the casing. To avoid nuisance triggering, the photocell should be aimed away from heat sources, such as BBQ's, Air-Conditioners, other outside lighting, moving cars and flue vents or reflective surfaces such as smooth white walls or swimming pools.

## Fitting/replacing bulbs

- The LED module in this product is non replaceable.

We recommend cleaning with a soft dry cloth.  
Do not use solvents or abrasive cleaners as these could damage the finish.

## Recycling advice



Waste electrical products should not be disposed of with household waste. Please recycle where facilities exist. Check with your Local Authority or retailer for recycling advice.

## Safety information

For your safety, always switch off the supply before changing lightbulbs, or cleaning.

## Instruction leaflet

# Lucca Wall

67176, 67177



saxby  
lighting

Thank you for purchasing this light fitting. Please read the instructions carefully before use to ensure safe and satisfactory operation of this product. Please retain these instructions for future reference.

## Warning

### This light fitting is Class 1 and must be connected to an Earth circuit

Please read these instructions carefully before commencing any work.

This unit must be fitted by a competent and qualified electrician.

Install in accordance with IEE Wiring regulations and current Building Regulations.

To prevent electrocution switch off at mains supply before installing or maintaining this fitting. Ensure other persons cannot restore the electrical supply without your knowledge. If you are in any doubt, please consult a qualified electrician.

This light fitting should be connected to a circuit with a 30mA RCD fitted.

If replacing an existing fitting, make a careful note of the connections.

This system contains non-replaceable parts and cannot be serviced. If damage occurs the part should be scrapped.

Waste electrical products should not be disposed of with household waste. Please recycle where facilities exist. Check with your local authority or retailer for recycling advice.

These products are rated at IP44.

These products are not suitable for dimming.

These products are not suitable for location in or near a marine or sea environment.

The entire units get hot whilst on for a period of time.

## Specification

Voltage:	240V 50Hz a.c.
Lamp:	30W LED module - 2200lm
IP rating:	44

## Layout

- Plan the desired layout of this fitting carefully, ensuring the cables will reach the distance between the junction box and the light fitting
- Avoid locating any cables in positions that would cause a hazard. Position cables and junction boxes (not supplied) away from areas where they may be at risk from being cut, trapped or damaged
- Cables in walls must be protected using suitable conduit or plastic trunking.
- The mains supply cable must have a minimum cross sectional area of 1.0mm<sup>2</sup>
- These products have special protection against the ingress of moisture and are IP44 rated.

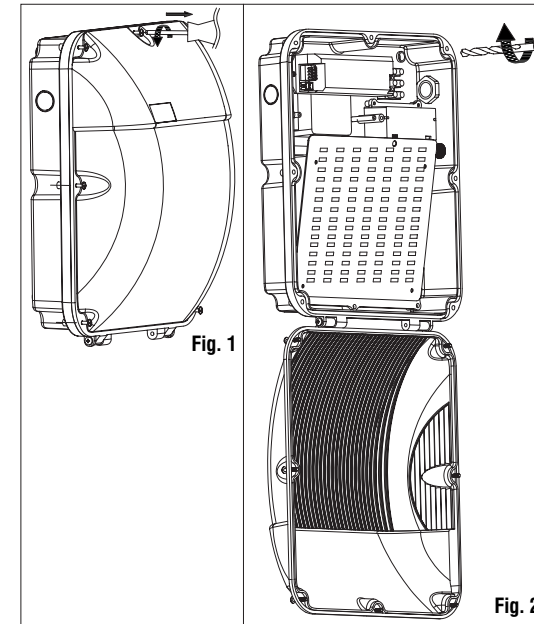
## Installation

Existing fittings must be completely removed before installation of a new product. Before removing the existing fitting, **carefully note the position of each set of wires.**

- The shade on these products is hinged. To open it, unscrew the 7 screws around the edge of the shade and keep them safe for refitting later (Fig.1)
- The fixing holes are located in the corners of the wall back and they need to be punched or drilled through.

The recommended hole size is 4.5mm (Fig. 2).

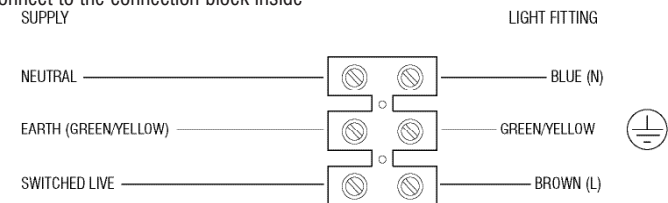
- Using the wall back as a template, mark and drill the fixing holes and fit supplied wall plugs (suitable for masonry only - for other surfaces use appropriate fixings). Use a sharp object such as a screwdriver to pierce the rubber grommet in the wall back and feed the incoming mains supply cable through the grommet entry hole. Fix the wall back to the wall using the supplied fixings.
- Wire as detailed below..



## Wiring - 67176

Having correctly identified the wiring from your existing light fitting and connect to the connection block inside

the product in the following way:



## Check that...

- You have correctly identified the wires.
- The connections are tight.
- No loose strands have been left out of the connection block.