

INSTRUCTION MANUAL

Assembly/ User Instructions

Please read these instructions carefully before fitting your new light and retain for reference.

For Indoor use only

This pack contains:

1x Light Fitting
Screws
wall plugs
Terminal Blocks as required by specific instructions
Appropriate bulbs if supplied
Glass Shades according to design (supplied)

Tools required:

Drill & assorted drill bits
Safety glasses
Small electrical screw driver
Medium cross head screwdriver
Medium flat head screwdriver
Small Pliers with wire stripper
Electrical Insulation Tape.

Safety Warnings


It is recommended that this light (may be an electrically lit mirror) be installed by a qualified electrician in accordance with current IEE Wiring Regulations and Building Regulations (Part P).

:Ensure that the mains electrical supply is isolated before commencing any installation.

:This light may be installed in “Zones 1 and 2 and Outside Zones” of a bathroom where water jets are not used for cleaning purposes. These zones are referenced in BS 7671: 2008 “Requirements for Electrical Installations”, IEE Wiring Regulations 17th Edition. All dimensions must be checked in conjunction with the Regulations. See Zone diagram below.

: The supply circuit must be protected by an RCD OR the casing of the light must be connected to the “Supplementary Equipotential Bonding” points in the bathroom.

: An electrician must be consulted if in any doubt about your own competency or meaning of bathroom “Zones” or “Equipotential Bonding” or “RCD”.

If the Class II, Double Insulated symbol  is on the Light Fitting then the Fitting does not require an Earth and Live or Neutral must not be connected to Earth. If there is no such symbol the Fitting must be Earthed. The terminal blocks are supplied according to requirements of the fitting.

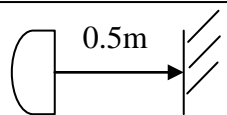
The supply must still be protected by an RCD.

If any modification is made it will invalidate the warranty and may render the product unsafe.

This type of Light Fitting may sometimes be connected to a Dimmer but seek advice before purchase.

If there is a “Minimum Distance” Label, please do not allow Flammable Materials to rest within that distance from the lamps.

Minimum Distance: This is the symbol which denotes this requirement.



Luminaires not suitable for direct mounting
On normally flammable surfaces(surface Mounted)



If the Light Fitting must not be mounted on combustible surfaces there will be the above symbol on it.

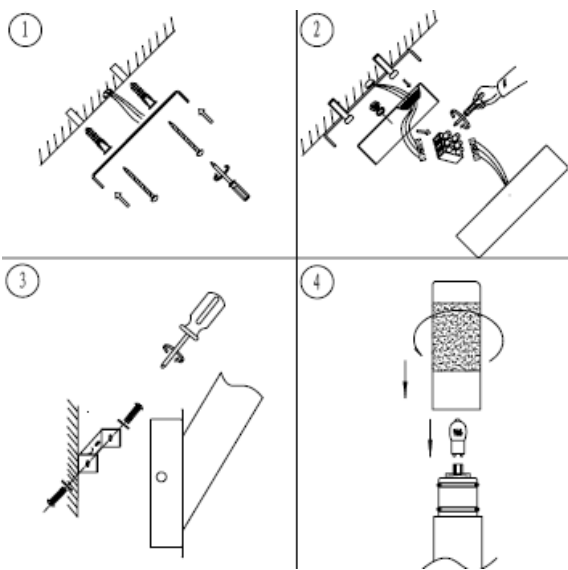
If there is no symbol then the Light Fitting may be mounted on any surface, including combustible ones.

Assembly/ User Instructions

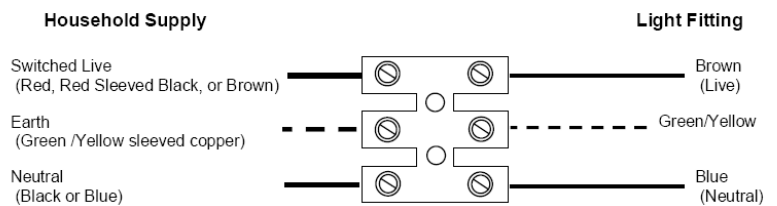
1. Remove existing light fitting. Ensure there is a solid mounting, preferably a brick or block wall. If the wall is timber frame and plasterboard construction then please use appropriate fixings for plasterboard or screw directly into the timber frame. Ensure the fixing can support the weight of the wall light.
2. Refer to generic diagram which is a representative example; the fixing bracket must be screwed to the wall on a horizontal line, this view is from above for clarity. Other fittings may be long and have no fixing bracket but use a combined back plate/ box and have alternative sealing arrangements, see the additional sheet for your particular fitting. **This includes Mirrors with integral illumination.**
3. Unscrew the side screws partially if their fixings are “L” shaped slots or completely, if the fixings are holes; retain screws and washers. Remove the bracket and use this as a template to mark the screw holes for your chosen location. (Or the entire back plate is to be screwed to the wall).

Assembly/ User Instructions continued

- Diagrams (1) & (2) Screw the bracket (or back plate) to the wall, make a small hole in the grommet in the back plate/ box and pass the house wiring through it ensuring a good seal.
- Support your fitting and connect the house wiring according to the Terminal Block diagram. Ensure no strands of wire escape the terminal Block. When you are sure of the connections wrap the Terminal Block and overlap the wiring both sides with 2 layers of insulation tape. Fixed Terminal Blocks with an Insulation plate underneath them do not require further insulation. Re-fit the back box ensuring no wires are damaged, trapped or left exposed. Check the seal. (or go to step 6 if back plate screwed to wall)
- Diagram (3) Fix your fitting in position by reversing step 3, ensuring no wires are damaged, trapped or left exposed. Check the waterproofing seal.
- Diagram (4) Install the Bulbs, do not install bulbs with a greater wattage or different shape than specified on the label. Please do not touch the glass envelope of G9 bulbs (if used) with bare fingers. Attach any Glass Shades, these sometimes push onto a rubber sealing ring, or are clamped against a seal. This last construction applies to Mirrors with integral illumination. Refer to additional instruction sheet.

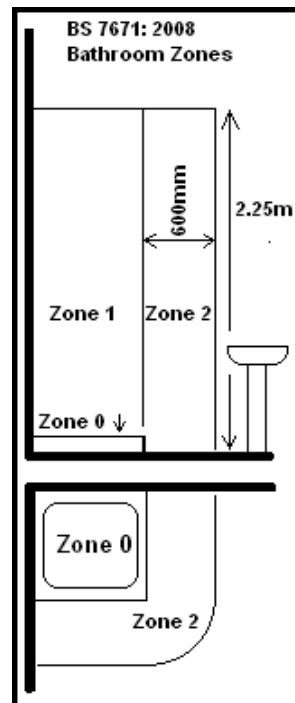


Generic Diagram



Terminal Block in Generic Diagram

Zone Information



Shower tray shown; bath has equivalent diagram. Refer to Standard for more information.

Basins should be regarded as having a 600mm Zone 2 hemi-sphere above and extending down to floor.

Care Information

All Light Fittings for UK Market are designed for 240V ac, 50 Hz (220-240V ac)
Please retain these instructions for future reference.
Switch off and allow 10 minutes to cool before cleaning, use only dry cloth.

Endon Lighting
LS9 0SE
A
GF1 FFF6A
A

